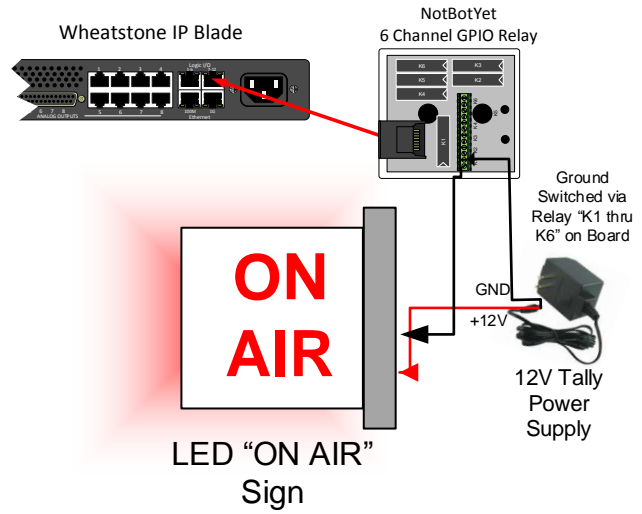
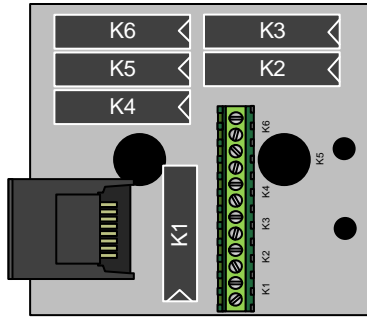


NotaBotYet™

6 Channel 5V Relay Breakout
For Wheatnet Logic and Axia GPIO
Part# W15-R01-2



Wheatnet Logic Installation Example

Purpose: The 6 Channel 5V Relay Breakout from NotaBotYet was designed to provide an easy relay interface for the 6 open collector outputs of a standard GPIO port on a Wheatnet-IP logic port. The outputs of the logic port are only designed to support a nominal current of 50 milliamps. This is typically just enough current to control only a couple of typical LEDs. The onboard relays will allow these six outputs to control external devices requiring more current... up to 500 milliamps. This is more than enough to control various multi-LED tally lights on microphone booms, modern low voltage LED "ON AIR" lights, or any other device requiring isolated dry-contact switching up to 500 milliamps. The six relays are "Form A" type reed relays and the output connections are all isolated from each other to allow each output to switch different voltage levels or signals. This device also works with the NotaBotYet Axia GPIO Breakout Board Part #A15-B01-2 (although only 5 of the relays are controllable).

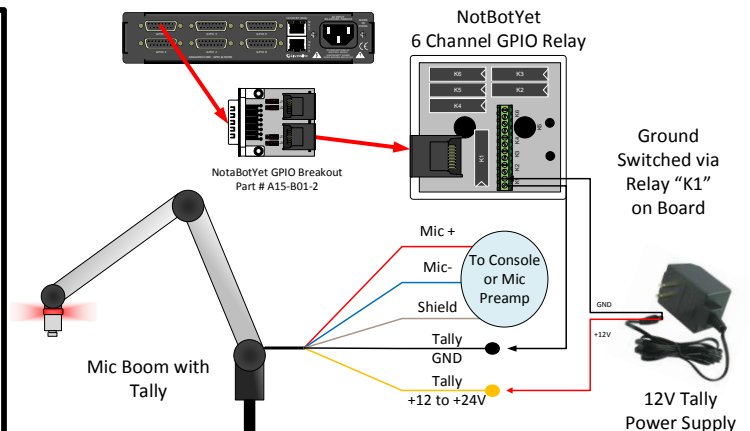
Inputs: Inputs are available on a convenient RJ45 connector allowing the use of standard Category 5/6 wiring to transport Logic and GPIO control within your plant. Inputs are designed so that a standard Ethernet type cabling with straight-through wiring can be used to connect the 6 Channel 5V Relay Breakout directly to the logic output connector of a Wheatstone® Blade or the output connector of the NotaBotYet Axia GPIO Breakout Board Part #A15-B01-2. The inputs can also be used with any other type of 5V logic switching such as computer GPIO logic cards or other +5V based GPIO control signals. However, care must be taken to limit the supply voltage to +5V since exceeding this can destroy the relay trigger coils.

Mounting: The board is packaged similarly to a standard RJ-45 surface jack. This takes up a minimum of space in the plant and allows the end user to employ a variety of mounting schemes based on their needs. To access the screw terminal outputs, simply snap off the top cover by squeezing in on the sides and pulling straight off. To replace the cover, simply snap it back on. The jack can be mounted using the included double sided foam tape or, once open, using the supplied wood screws to mount to a wall or board. Other types of screws and mounting may be used as well but must be supplied by the end user.

RJ45 Input Pinout:

Pin Number / EIA/TIA 568B Wire Color

- 1 GND Org/W
- 2 In 1 Org
- 3 In 2 Grn/W
- 4 In 3 Blu
- 5 In 4 Blu/W
- 6 In 5 Grn
- 7 In 6 Brn/W
- 8 +5V Brn



Axia GPIO Installation Example